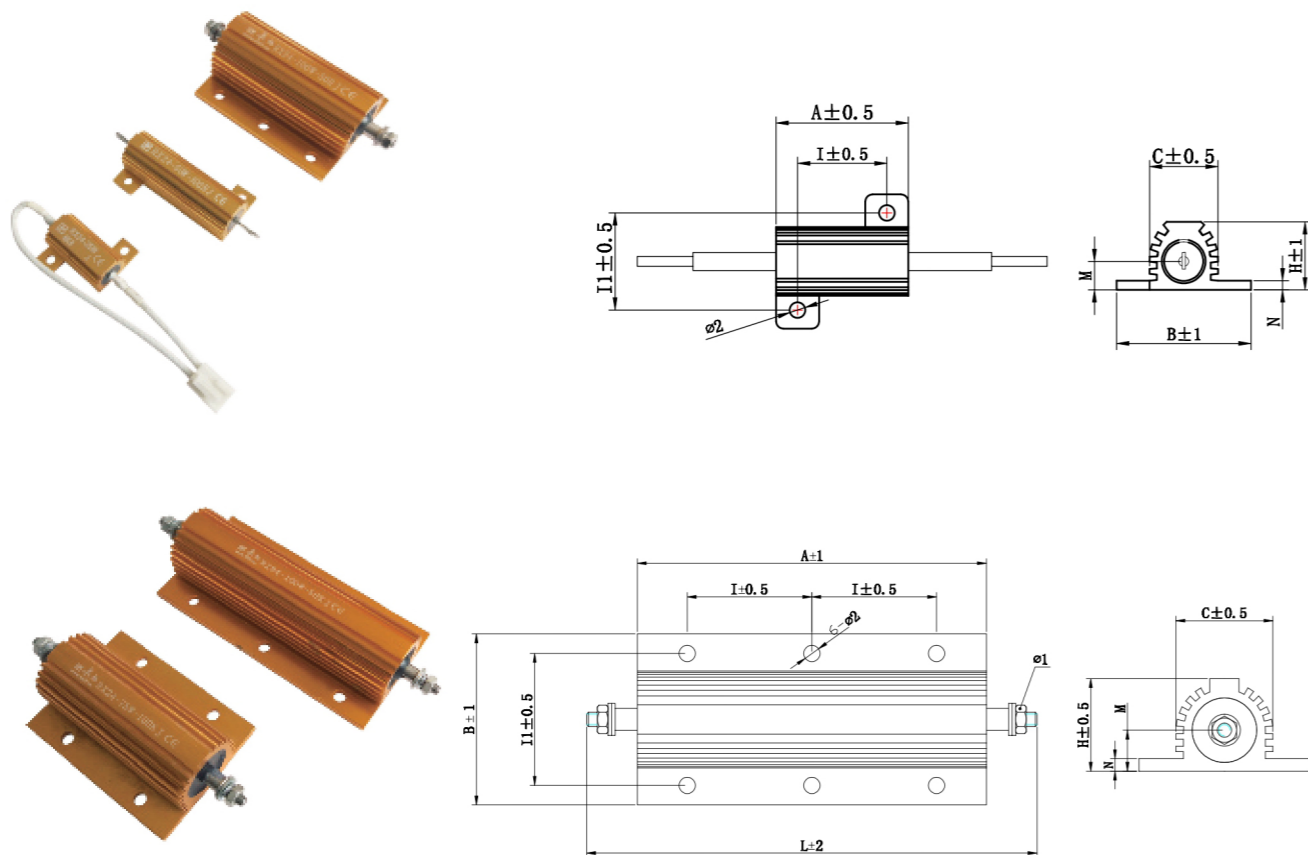


RX24 型铝外壳线绕预充 / 放电电阻器 5W-500W

RX24 Aluminum Housing Wire Wound Recharge Resistors 5W-500W

RX24 型铝外壳线绕预充 / 放电电阻器 5W-500W

RX24 Aluminum Housing Wire Wound Recharge Resistors 5W-500W



产品特点 Features

- 高温负荷特性优良
Excellent high temperature load performance
- 高过载能力
High over loading ability
- 符合欧盟 ROHS 标准
ROHS compliant
- 外形美观、易于安装
Attractive appearance and easy installation

应用范围 Applications

- 电力分配, 负荷测试
Electric power distribution, load test
- 适用于功率电源 / 变频电源等领域
Ideal for functional power supply / inverter power supply etc.
- 用于工控的伺服系统中软启动和制动部分
Applied to the soft starting and braking parts of industrial controlled servo drive system
- 应用于动力电池 Pack、汽车电控行业
Applied to power battery pack and auto electric control industry

订货示例 How to order

产品型号 Type	功率 Power	标称阻值 Nominal value	精度 Tolerance
RX24	50W	50R	±5%

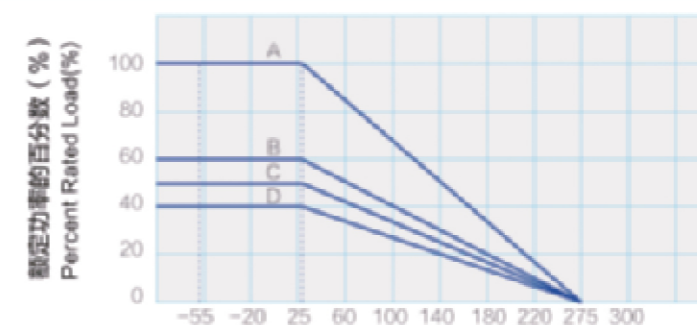
技术说明 Technical specifications

型号 Type	25℃下额定功率 (W)		阻值范围 Resistance Range (Ω)	温度系数 TCR (10-6/℃)	阻值精度 Tolerance	耐电压 Withstand voltage (V)
	带散热板	不带散热板				
RX24	5	3	0.01~1K	±50 ±100 ±250	±1 (F) ±2 (G) ±5 (J)	1000
	10	8	0.01~1.5K			
	25	12.5	0.01~10K			
	30	15	0.01~27K			2000
	50	20	0.01~33K			
	75	45	0.01~39K			
	100	50	0.01~51K			
	150	55	0.01~56K			2500
	200	100	0.01~58K			
	250	120	0.01~75K			
300	150	0.01~75K				
500	200	0.01~82K				

外形尺寸 Dimensions (mm)

	A	B	C	H	I	I1	M	N	L	Φ1	Φ2	重量 (g)
5W	15.5	16	8.5	8	11.4	12.5	4.4	1.5	31	1.5	2.2	3
10W	19.5	21	11.2	10	14	16	5	2	34.5	2.2	2.5	6
25W	27	27	14.3	13	18.3	20	7	2	48	2.2	3.5	11
30W	34	29	16.3	15.5	25	22	7.3	2	55	2.2	3.5	18
50W	50	29	16.3	15.5	40	22	7.3	2	71.5	2.2	3.5	30
75W	65.5	48	27	26	23.5	37	11.5	3.5	98	M4	4.5	90
100W	98	48	27	26	35	37	11.5	3.5	128	M4	4.5	160
150W	130	48	27	26	52	37	11.5	3.5	165	M4	4.5	240
200W	92	73	46.5	45	35	58	21	5	146	M6	5.5	420
250W	112	73	46.5	45	45	58	21	5	165	M6	5.5	480
300W	130	73	46.5	45	51	58	21	5	184	M6	5.5	580
500W	204	73	46.5	45	87	58	21	5	258	M6	5.5	970

降功耗曲线 Reduced power curve



环境温度 (°C) Ambient temp. Deg. Centigrade
A适合所有RX24带散热板的电阻器 B为10W不带散热板
C为25W不带散热板 D为50W-300W不带散热板